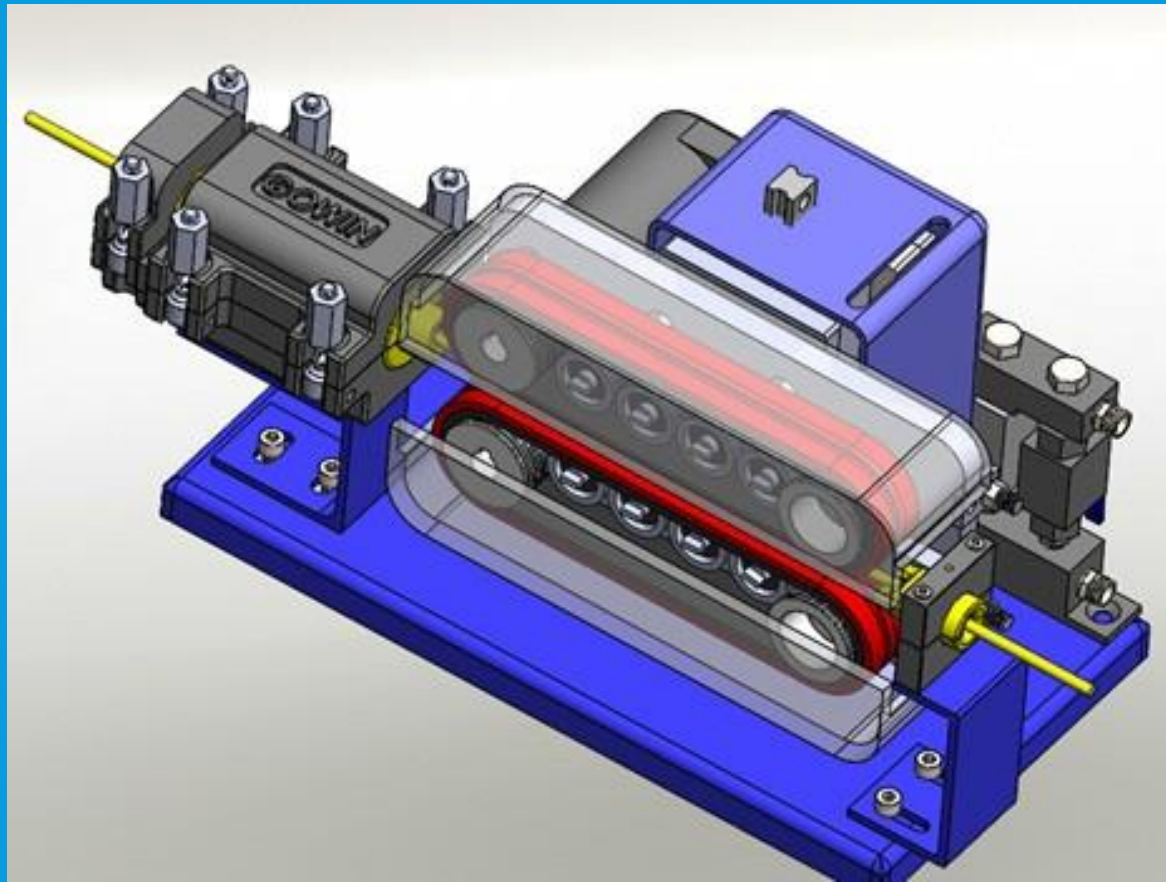
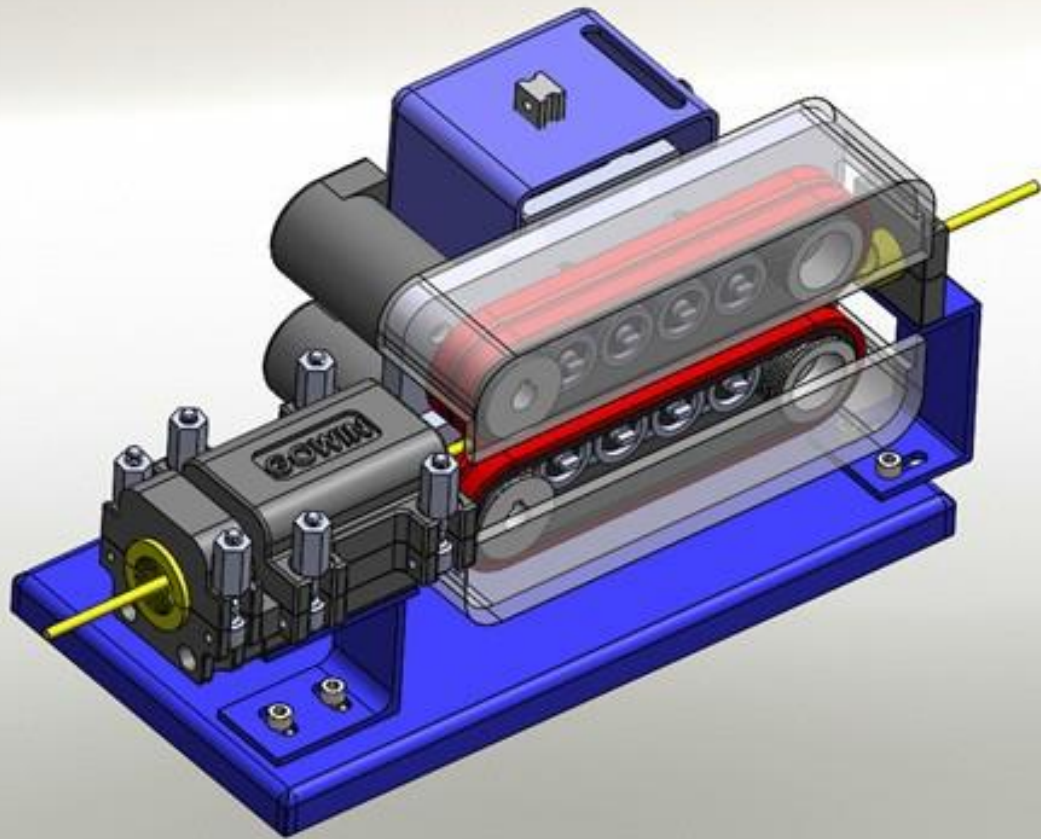
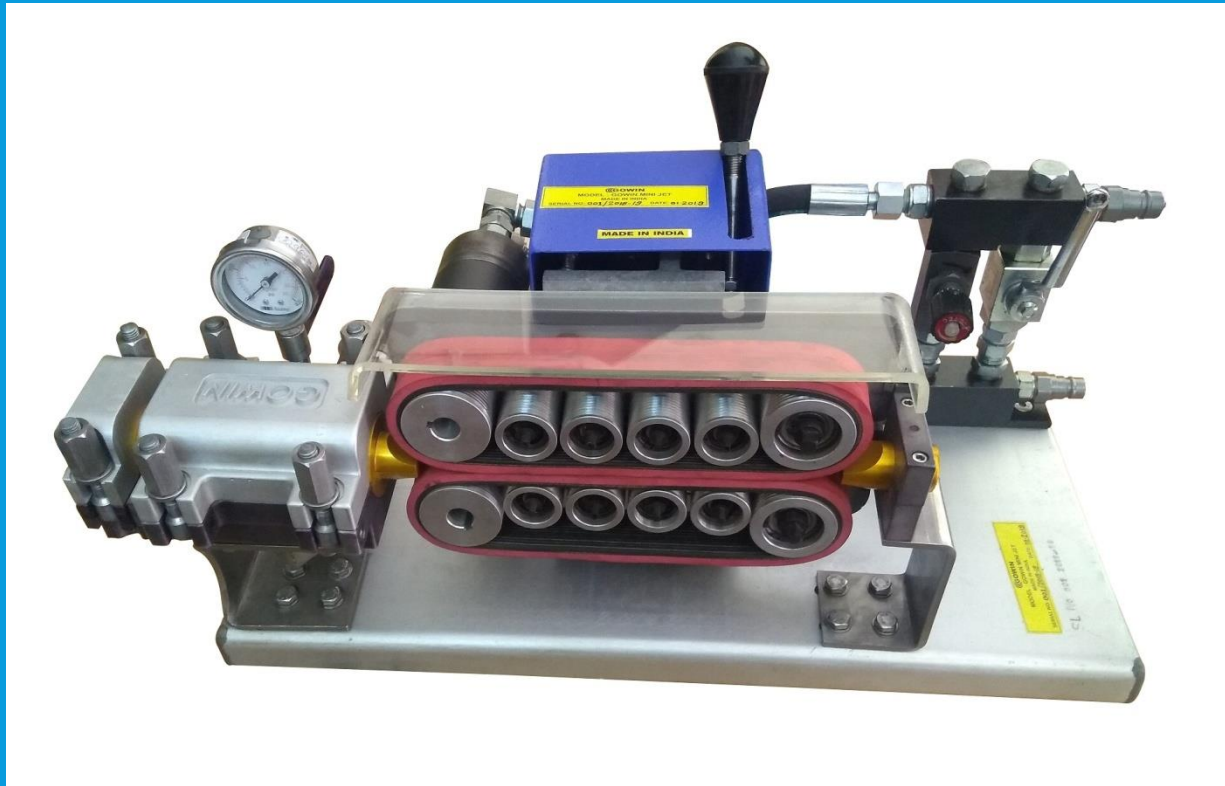


MICRO FIBER CABLE BLOWING MACHINE GOWIN MINIJET



MICRO FIBER CABLE BLOWING MACHINE GOWIN MINIJET



MICRO FIBER CABLE BLOWING MACHINE GOWIN MINIJET



THE VERSATILE NEW SERIES FIBER CABLE BLOWING MACHINE FOR MICRO FIBRES INTO MICRO DUCTS

1. This new series micro fiber cable blowing machine GOWIN MINIJET installs micro fiber cable into micro ducts by Hydraulic power along with by venting high pressure air stream into ducts. Thus the fiber cable floats inside the duct reduces the friction and transports the fiber cable inside the micro ducts at an average speed 100 to 125 meters per minute reaches the target distance .
2. Machine fabricated of high grade Aluminium casting for Non corrosive, rust free and long lasting use
3. Air compressor of capacity 100CFM at 10 kg/cm² or equivalent to Kaeser M17 compressor required to operate this equipment
4. Accessories for each size of cable and duct provided as per customer choice.
5. Micro fiber cable of core diameters 3 mm – 12 mm can be floated by this machine.
6. Micro ducts diameter 7 mm – 32 mm can be fitted with machine
7. Speed and Distance of blown cable can be measured through your Mobile (Bluetooth connection required) – provided as option

KEY FEATURES OF GOWIN MINJET

- High quality rust free and corrosion free aluminium die casting pushing unit for sturdy and long lasting performance with less noise and vibration.
- Hardened, heat treated and surface coated accessories used.
- Safety Valves with option to shut down in critical situations.
- Air Chamber made of HE30 grade Aluminium gives longer life.
- High quality V groove belt with longer life and better performance enables smooth flow of cables
- Bosch Rexroth Hydraulic pump for Hydraulic model
- Aluminium Hydraulic oil tank used in Hydraulic power pack enabling self cooling of oil while in circulation.
- 5.5 HP Honda engine used in power pack.
- Hydraulic Hose with QRC coupling for quick connect and removal in both blowing unit and power pack.
- Speed and Distance measurement option using Bluetooth connected mobile

SPECIFICATIONS

TECHNICAL SPECIFICATION OF MACHINE

Fiber Cable Diameter in mm	3 to 12
Micro duct Diameter in mm	7 to 32
Drive unit	Hydraulic
Linear Pressure on Cable (N/Cm ²)	80
Pushing Force (N)	800 N
Speed meters per minute	100 – 125
Air Inlet for duct pressure Kg/Cm ²	13
Machine weight in kg	30 Kg
Machine dimensions in cm	25 x 25 x 40

POWER PACK for Hydraulic Model :

Type of Engine	Honda GX-200
Engine Max.Power (kW)	6.5
Engine Max.Speed (rpm)	3600
Pump Delivery Rating (l/min)	20
Pump Hydraulic Pressure (bar)	100 to 150
Hydraulic motorhp / kw	4 kW
Hydraulic Inlet pressure	40 - 60 Bar
Machine Weight	40 Kg

GOWIN MINJET
MICRO FIBER CABLE BLOWING MACHINE
Packing List

- Gowin Minijet Cable pushing unit
- Venturi – 4, 5, 6, 7, 8, 9, 10 mm
- Front Guide Nozzle – 4, 5, 6, 7, 8, 9, 10 mm
- Collet – 7, 8.5, 10, 12, 14, 16, 18, 20, 25, 32 mm
- Clamp – 7, 8.5, 10, 12, 14, 16, 18, 20, 25, 32 mm
- Rubber U Seal – 4 mm to 10 mm each 10 No.
- Spare Bolts and Nuts
- Hydraulic Power pack fitted with GX200 Honda Engine for Hydraulic model
- Hydraulic Hose 1 set

Packing list content may vary accordingly which will be indicated in quotation

OUR ESTEEMED CLIENTS



- ❖ Nation Tech, Bangladesh
- ❖ Qatar Power Engineering & Cont, Qatar
- ❖ Qatar Power Engineering WLL, Qatar
- ❖ BinaSafee, Malaysia
- ❖ Fibertel Ventures, Kenya
- ❖ ICRAFT Co. Ltd, Korea
- ❖ Musaad Bin Rasheed Thunayan Contracting EST, Saudi Arabia
- ❖ Steven C Ndu Nig Ltd, Nigeria
- ❖ RhabTechnologies , Lagos, Nigeria
- ❖ Sotracam Ltd, Rwanda
- ❖ ORB Communications, Oman
- ❖ AlwanAlhussamEST, Oman
- ❖ Obertech, New Zealand
- ❖ Sahib International, Bangladesh
- ❖ Araf International, Bangladesh
- ❖ National Directorate of Security, Afghanistan
- ❖ Hatif Libya, Libya
- ❖ Shaden Gulf, Saudi Arabia
- ❖ Agboka Fiddle, Togo
- ❖ NordixData A.s Oslo, Norway
- ❖ Incotel, Quito, Ecuador
- ❖ A N G Projects , Kuwait
- ❖ Maestro Qatar , Qatar
- ❖ Smeet Precast LLC, Qatar
- ❖ Hamida Traders, Bangladesh
- ❖ Burundi Backbone System, Burundi
- ❖ Qatar Power Construction WLL, Qatar
- ❖ Qatar Power Engineering and Cont, Qatar
- ❖ Basic Five Drill Construction, Kenya
- ❖ Orbit Metals, Saudi Arabia
- ❖ Vastech, Kenya
- ❖ Alpha Link Trading and Services LLC, Oman
- ❖ Voltage Engineering, Qatar
- ❖ Navin Electricals, Tamil Nadu
- ❖ Prime Infrastructure, Liberia
- ❖ Ahimsa Networks, Tamil Nadu
- ❖ Royal Stitch, Maharashtra
- ❖ Hexxa Geo System Integrators, Gujarat
- ❖ Nupur Technologies, Goa

THANK YOU!



FOR FURTHER INQUIRIES, PLEASE CONTACT,

PRAYAAG TECHNOLOGIES



An ISO 9001:2015 Certified Organization

4/19, PARTHASARATHY STREET,
CHENNAI -600029. SOUTH INDIA

LANDLINE : +91-44-23632412
FAX : +91-44-43153125
MOBILE : +91-9444309787 / +91-9566249295
WHATSAPP : +91-9444309787 / +91-9566249295

EMAIL : gowin@fibercablenetworks.com, dayalan1962@gmail.com

WEB : www.prayaagtechnologies.com

WE ARE



Member
Federation of Indian Export Organisations



Council Member
Telecom Equipment and Services Export
Promotion Council